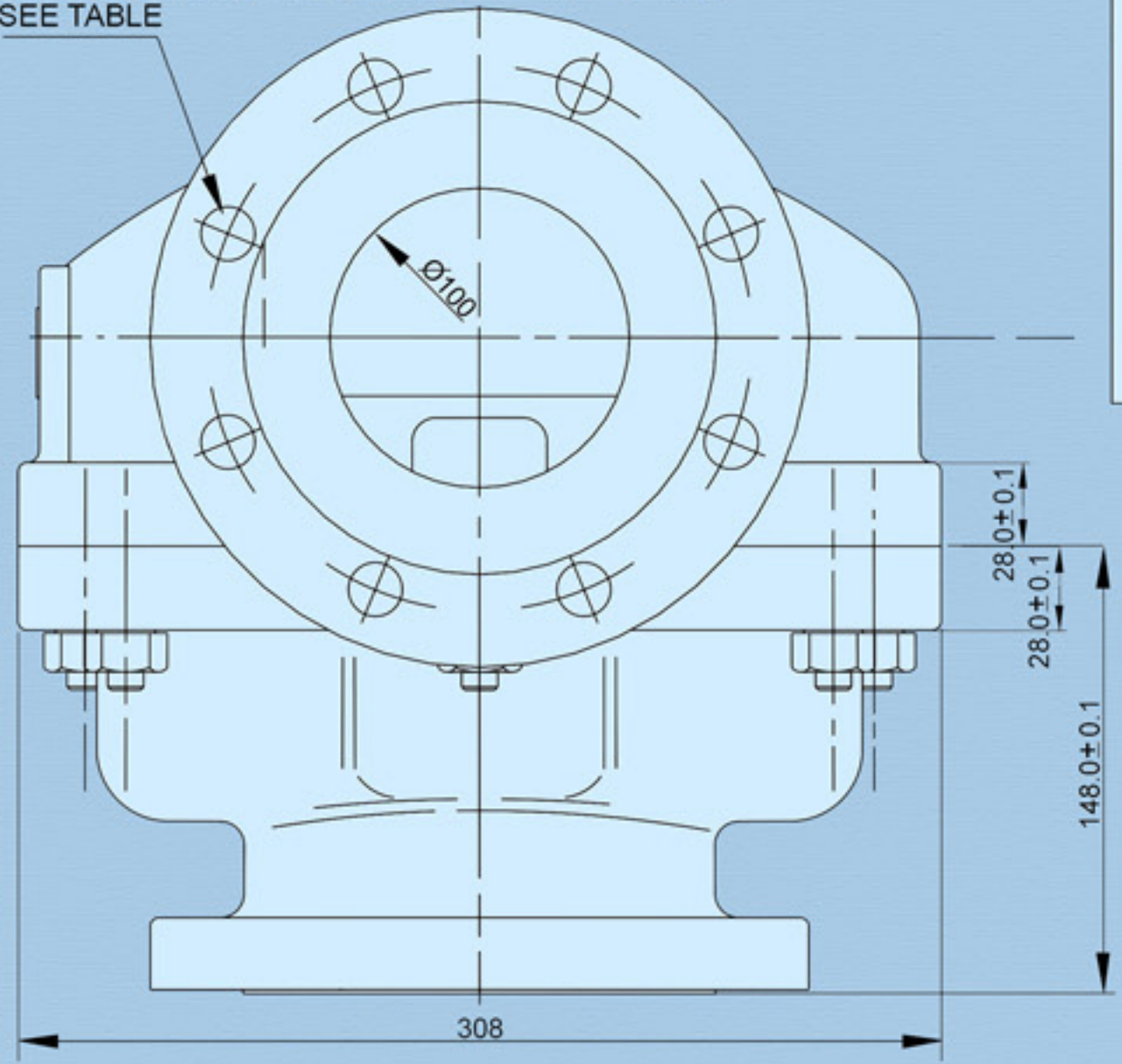


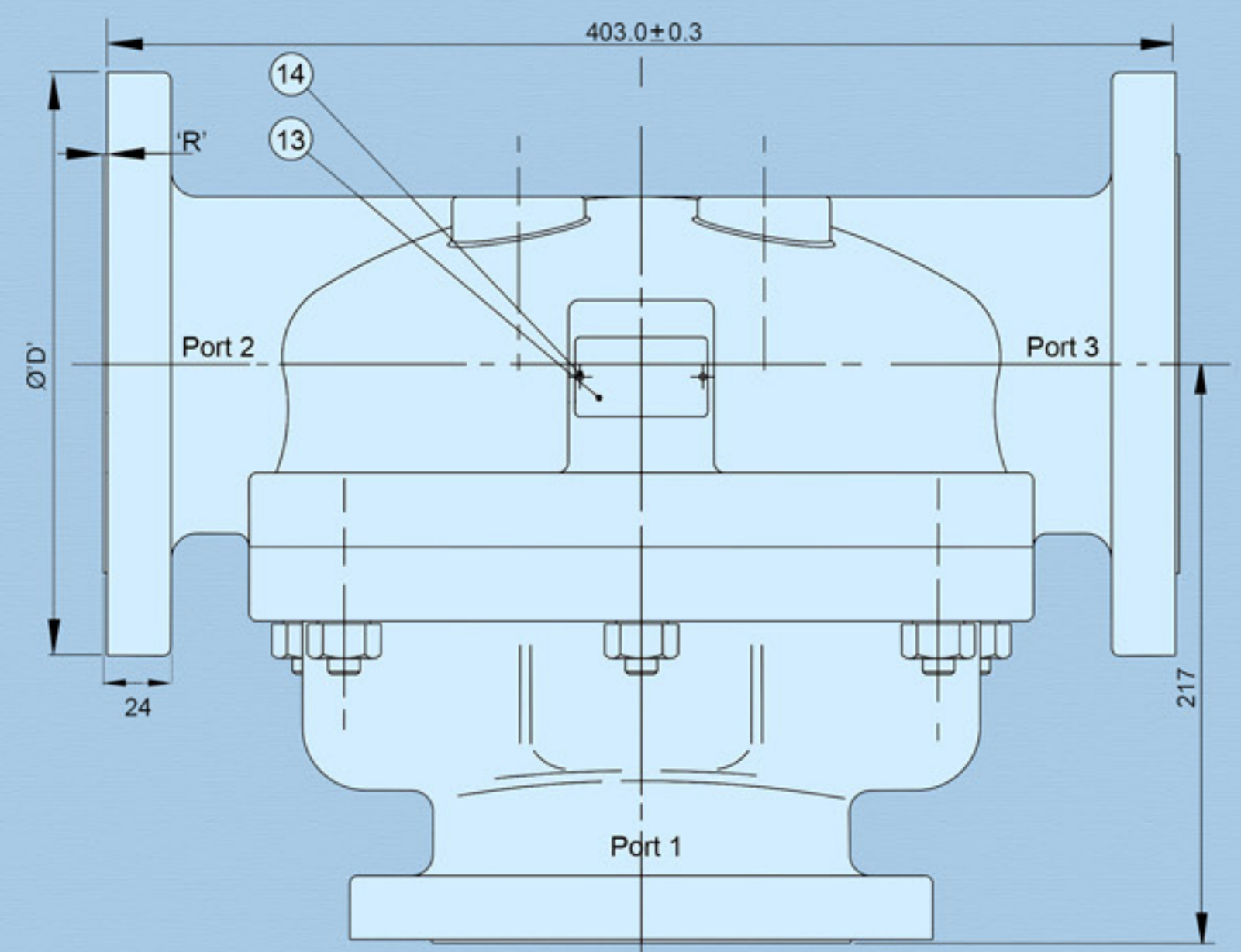
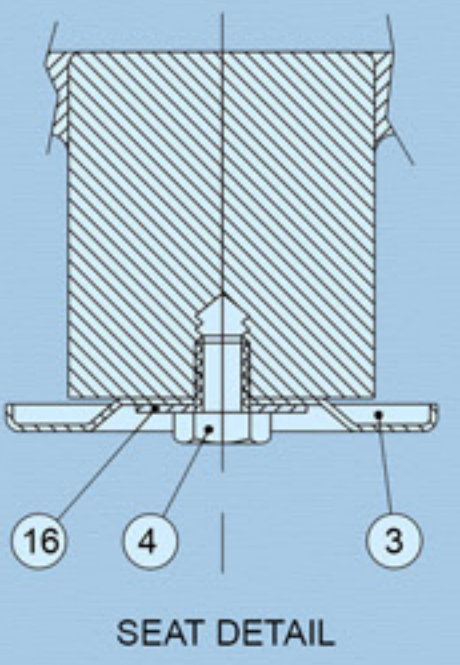
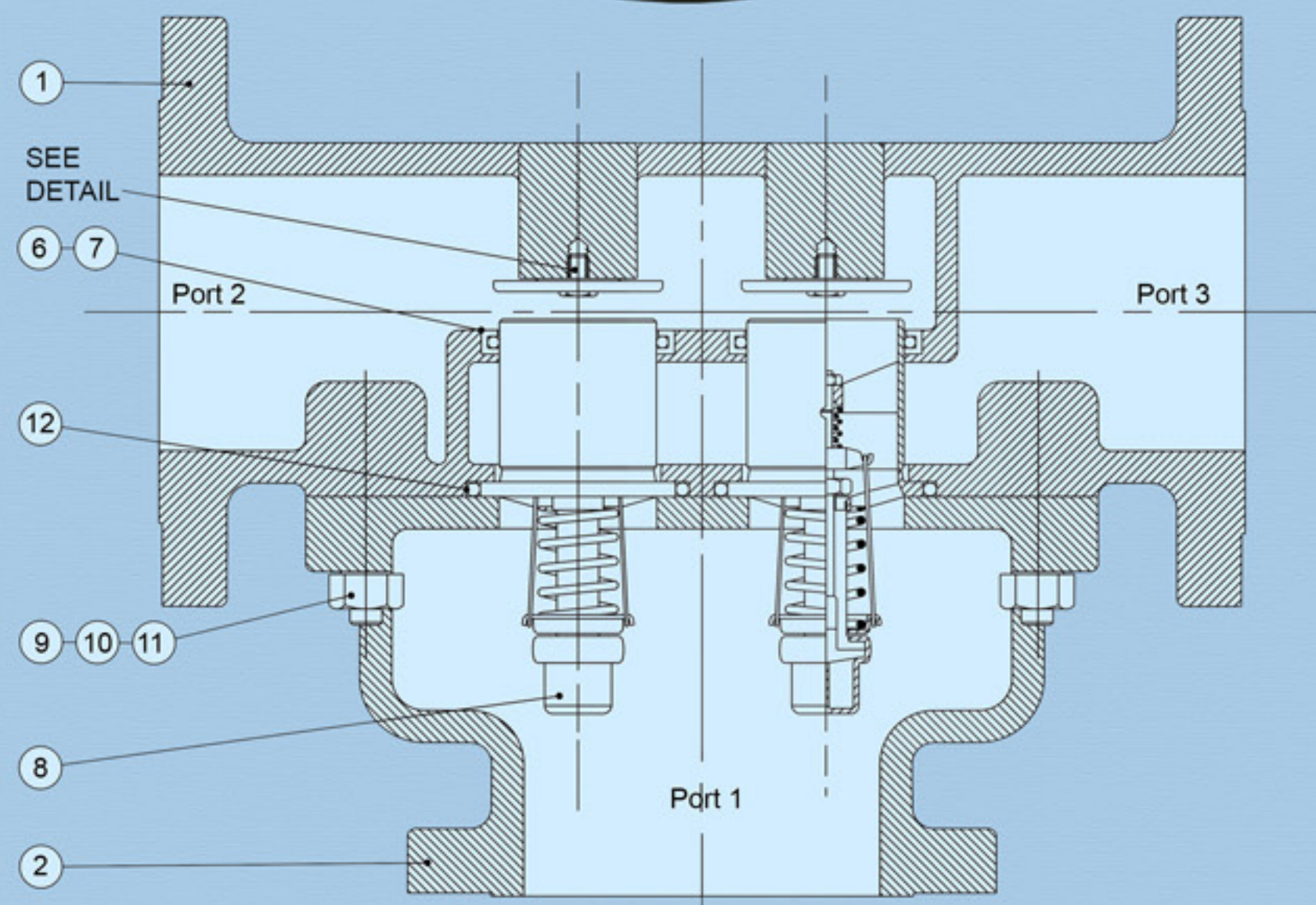
MAIN FLANGE & DRILLING DIMS					
FLANGE	D	G	R	B	C
PN6	210	148	3	16	170
PN10/16	220	158	3	18	180
PN40	235	162	3	22	190
ASA 125 FF	229	-	-	19	190.5
ASA 150 RF	229	157	1.6	22.2	190.5
ASA 150	229	157	1.6	19	190.5
ASA 300	254	157	1.6	22.2	200
BS TAB D&E	215.9	-	-	19	177.8

NOTE CAST & SG IRON VALVES
NORMALLY SUPPLIED WITH FLAT
FACED FLANGES

FLANGE DRILLING :- 8 HOLES Ø 'B' ON Ø 'C' PCD
SEE TABLE



DRAWING No. 3195



No.	DESCRIPTION	CHK'D	APP'D	DATE

TITLE
ASSEMBLY M100T STANDARD
THERMOREG PRODUCTS LTD. MILDENHALL SUFFOLK Eng.

TOLERANCES
BASIC MM
ONE DEC PLACE
TWO DEC PLACES
MATERIAL

DRAWN M.Frost	TRACED	CHECKED	APPROVED	DATE	SCALE 1:4
DRAWING No. 3195					